



Hardware F-Z >> Guy Attachments  
Guys

**Features:**

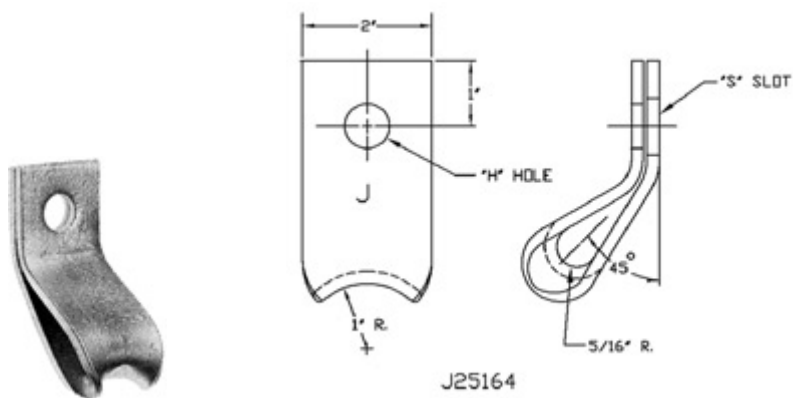
- Guy Attachments provide an economical and efficient means of fastening guys to poles
- Well rounded wire grooves protect the strand from damage
- The formed steel style guy attachments feature a closed strand loop
- The ears of the malleable guy attachments will accommodate any type of guy loop or clamp bail.
- The lower mounting hole is for a 1/2-inch lag screw

**Application:**

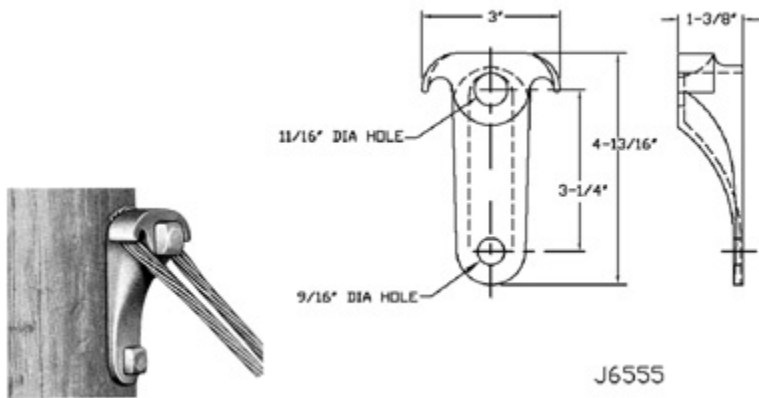
- Wherever possible, installation should be made under the head of a machine bolt.
- Guy attachments are not recommended to be mounted on the threaded end of a bolt as tensile and bending stresses on bolt threads can result in premature bolt failure less than the bolt minimum tensile strength

**Material:**

- Hot Dip Galvanized



One-Bolt Formed Steel Type				
Catalog Number	Steel Size	Hole Size (Inches)	45°; Ultimate Str. (Lbs.)	Weight/100 (lbs)
J25164	2 x 3/16	11/16	10,000	113



J6555

Malleable Iron Type				
Catalog Number	Max Strand	45°; Ultimate Str. (Lbs.)	Bolt Hole Dia.	Weight/100 (lbs)
J6555	1/2	13,550	11/16	105
J6556	9/16	20,050	13/16	120

[www.maclepower.com](http://www.maclepower.com)

