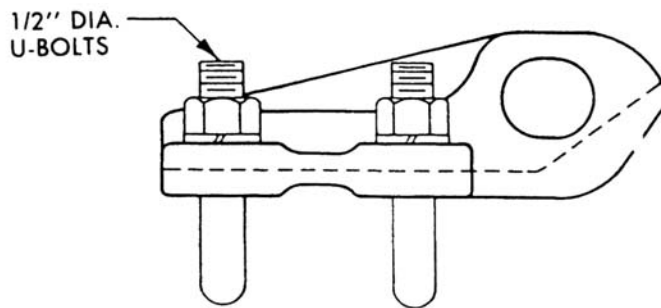


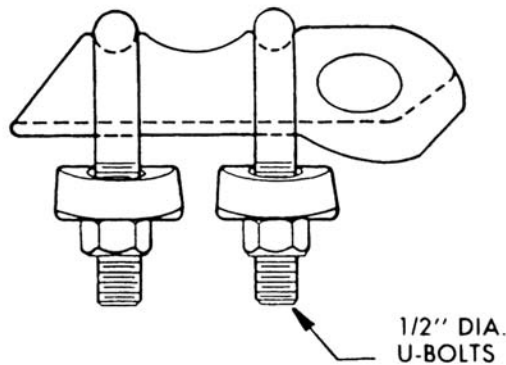
Features

Ductile iron (ASTM 536), hot dip galvanized (ASTM 123)

Acts as auxiliary anchor eye for additional guy to existing anchor



AE-155B



AE-155
AE-155A

Catalog Number	Maximum Strand	Rating	Thimble Diameter	Anchor Rod Size
AE-155	1/2	18,000 LBS	1 1/2	5/8 – 3/4
AE-A55A	1/2	18,000 LBS	1 1/2	3/4 - 1
AE-155B	9/16	18,000 LBS	1 1/8	1 1/4