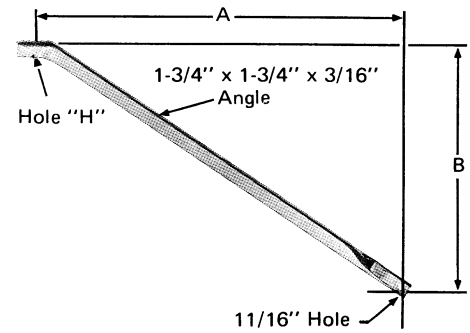


Braces, Angle

Hot Dip Galvanized

These braces are used as tension members on the side of the arm opposite the odd conductor to compensate for the unbalanced load. The pole mounting end is flattened so the brace can be used as either a right-hand or left-hand member.



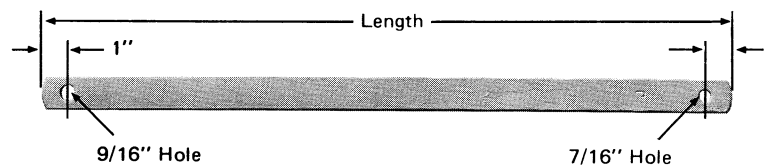
Catalog No.	Dimensions (Inches)			Approximate Shipping Weight (Lbs. Per 100 Pcs.)
	H Hole Dia.	A Span	B Drop	
J1442	11/16	42	27	950

Braces, Crossarm, Flat Steel

Hot Dip Galvanized

Flat crossarm braces, used in pairs, are an inexpensive means of aligning and supporting crossarms.

Mounting hole diameters are 7/16-inch for 3/8-inch crossarm mounting bolts and 9/16-inch for pole mounting with 1/2-inch lag screw or through bolt. Hole centers are 1-inch from the brace ends, which are rounded for extra safety.



1-1/4" x 1/4" Size

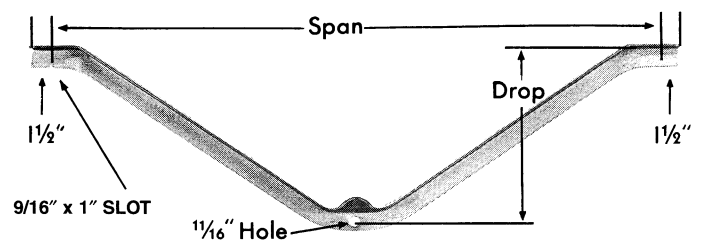
Catalog No.	Length (Inches)	M.H.C.* Distance (Inches)	Approximate Shipping Weight (Lbs. Per 100 Pcs.)
J7126	26	24	215
J7128	28	26	235
J7130	30	28	255
J7132	32	30	200

*M.H.C. Mounting Hole Center

Braces, Double Span, Steel (Angle)

Hot Dip Galvanized

One piece, angle steel, double span braces are used to support heavy crossarm construction. Braces are attached to the underside of the crossarm with 1/2-inch bolts or lag screws and fastened to the pole with a 5/8-inch bolt. The pole mounting section is designed to allow more than ample clearance for wrenching.



Catalog No.	Angle Size (Inches)	Span (Inches)	Drop (Inches)	Approximate Shipping Weight (Lbs. Per 100 Pcs.)
J1506	1-1/2 x 1-1/2 x 3/16	42	12	800
J1514	1-1/2 x 1-1/2 x 3/16	48	18	1000
J1508	1-1/2 x 1-1/2 x 3/16	60	18	1100
J1510	1-3/4 x 1-3/4 x 3/16	60	18	1340
J1512	1-3/4 x 1-3/4 x 3/16	72	22	1500
J26853.1*	1-3/4 x 1-3/4 x 3/16	40	14-3/4	1000

*13/16" diameter holes and slots.