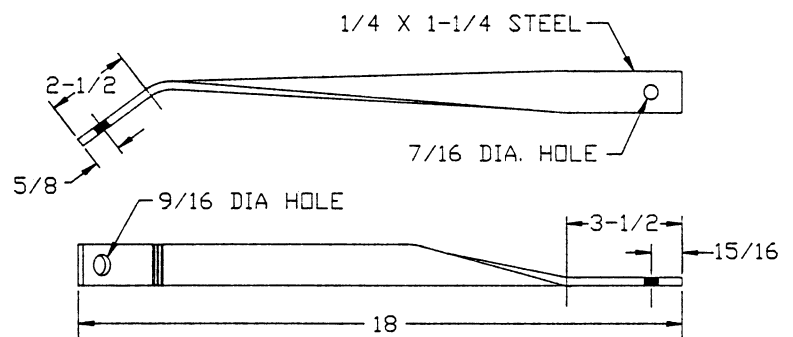
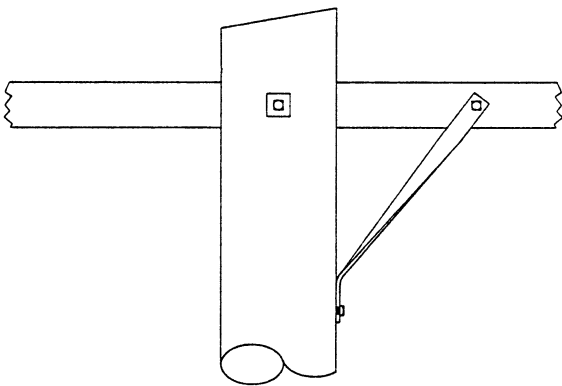


## Braces, Guard Arm

### Hot Dip Galvanized

Joslyn J8240 guard arm braces are used for light duty support and stability of crossarms in telecommunications construction. They are mounted to the crossarm with a 3/8-inch diameter bolt and to the pole with a 1/2-inch diameter lag screw.

Catalog No.	Approximate Weight (Lbs. Per 100 Pcs.)
J8240	170



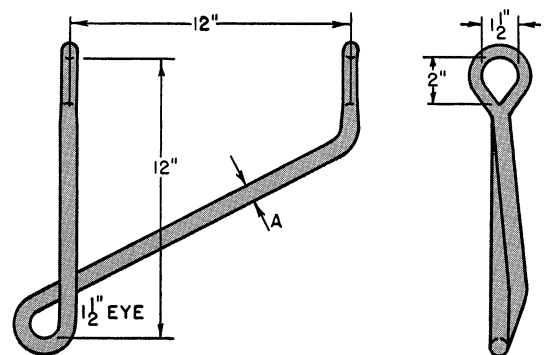
## Brackets, Angle

### Hot Dip Galvanized

#### Clevis Bolt Mounted Style

Joslyn Angle Brackets provide extra clearance for supporting insulator strings and other suspension hardware at angle structures. These angle brackets have closed, drop forged oval eyes. They are fastened to the crossarm or pole by means of drop forged clevis bolts. (See Bolts, Clevis for further details.)

Catalog No.	Stock Diameter (Inches)	Approximate Shipping Weight (Lbs. Per 100 Pcs.)
J7936	3/4	520



J7936