



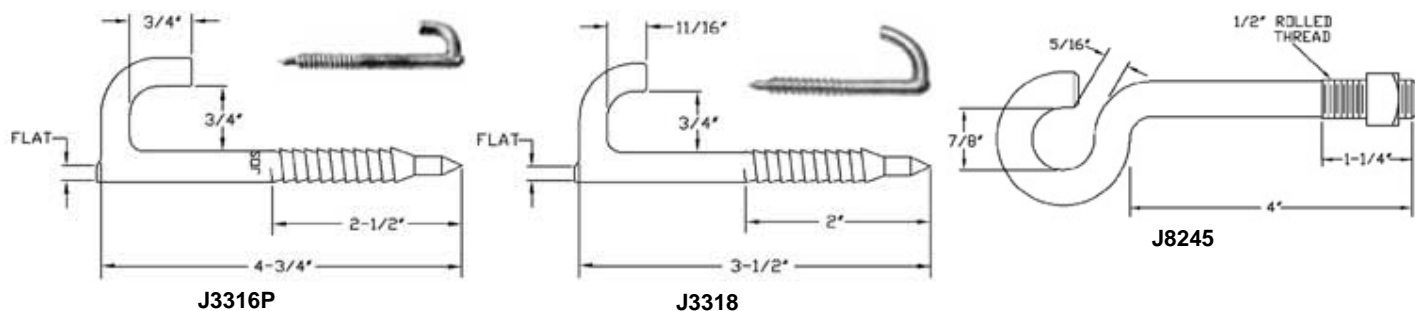
Hardware F-Z >> Hooks
Hooks

Features:

- Full line of hooks for supporting bail-type drop wire and deadend clamps from poles and crossarms.
- The J3316P and J3318 drive hooks have rolled fetter drive threads and a pilot point for easy starting.
- The J8245, complete with square nut, bolts through the side of a wood crossarm for deadending telephone services.

Material:

- Hot Dip Galvanized



Catalog Number	Size (Inches)	Weight/100 (lbs)
J3316P	7/16 X 4-3/4 F.D.	27.0
J3318	5/16 X 3-1/2 F.D.	11.6
J8245	1/2 X 5-3/4	42.0

www.maclepower.com

