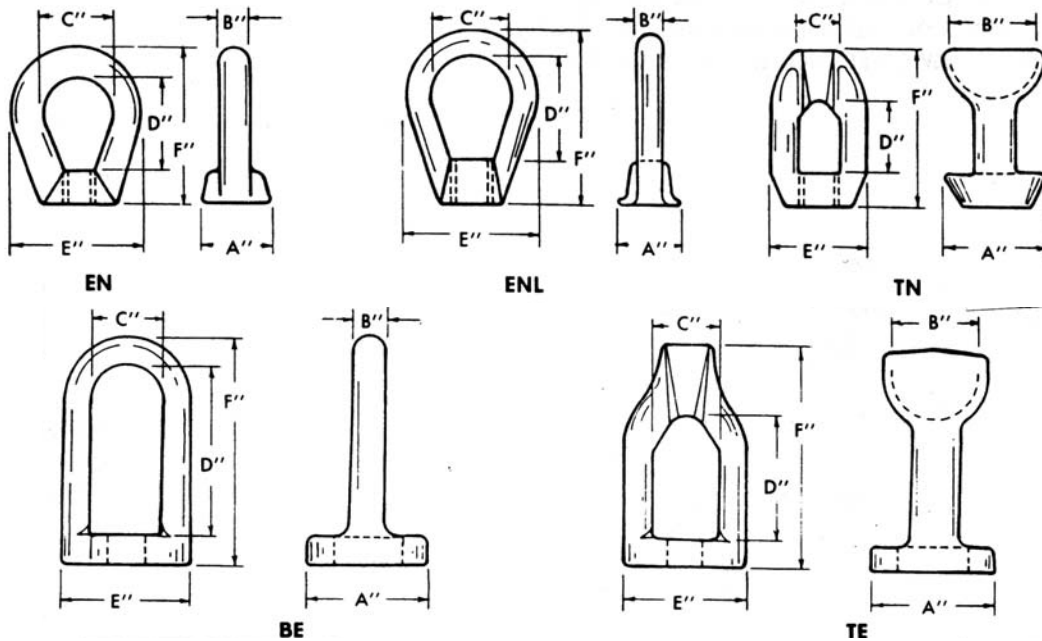


**Material**

Ductile Iron

Hot Dip Galvanized



Catalog Number	Dimensions - Inches						
	For Bolt Dia.	A	B	C	D	E	F
EN-3	3/8"	1 - 3/8"	9/16"	1 - 1/2"	1 - 3/4"	2 - 5/8"	3"
EN-4	1/2"	1 - 3/8"	9/16"	1 - 1/2"	1 - 3/4"	2 - 5/8"	3"
EN-5	5/8"	1 - 3/8"	9/16"	1 - 1/2"	1 - 3/4"	2 - 5/8"	3"
EN-6	3/4"	1 - 3/8"	9/16"	1 - 1/2"	1 - 3/4"	2 - 5/8"	3"
ENL-5	5/8"	1 - 3/8"	5/8"	1 - 1/2"	2 - 1/2"	2 - 5/8"	4"
ENL-6	3/4"	1 - 3/8"	5/8"	1 - 1/2"	2 - 1/2"	2 - 5/8"	4"
TN-5	5/8"	1 - 1/2"	1 - 1/2"	7/8"	1 - 3/8"	1 - 7/8"	3"
TN-6	3/4"	1 - 1/2"	1 - 1/2"	7/8"	1 - 3/8"	1 - 7/8"	3"

Catalog Number	Dimensions - Inches							
	For Bolt Dia.	Mtg. Bolt Hole	A	B	C	D	E	F
BE-5	5/8"	1" x 11/16"	2 - 3/8"	9/16"	1- 1/4"	3"	2 - 3/8"	4"
BE-6	3/4"	1-1/18" x 13/16"	2 - 3/8"	9/16"	1- 1/4"	3"	2 - 3/8"	4"
TE-5	5/8"	1" x 11/16"	2 - 3/8"	1- 1/2"	1- 1/4"	2-9/16"	2 - 3/8"	4-3/8"
TE-6	3/4"	1-1/18" x 13/16"	2 - 3/8"	1- 1/2"	1- 1/4"	2-9/16"	2 - 3/8"	4-3/8"

**Notes:**

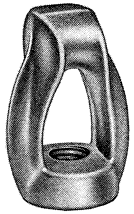
- 1) Galvanized Ductile Iron for higher strength and shock loads
- 2) Types EN and TN fittings are tapered for use on galvanized bolts
- 3) Designed to meet or exceed EEI specifications

**Eyenuts, Forged**

**Hot Dip Galvanized**

Joslyn Forged Eyenuts are tapped to fit hot dip galvanized bolts made to ANSI Specifications and are designed to develop strength ratings consistent with the bolts with which they are used.

Thimble eyenuts are used for span, head and stub guying; twin eyenuts accommodate double guys. Oval eyenuts are used for deadending with suspension or strain insulators.



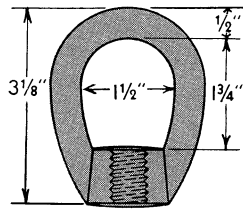
THIMBLEYENUT®



TWINEYENUT®



OVAL EYENUT



**Thimble Eyenuts**

Catalog No.	For Bolt Diameter (Inches)	Maximum Strand Size (Inches)	Approximate Shipping Weight (Lbs. Per 100 Pcs.)
J6510	5/8	1/2	91
J6511	3/4	1/2	91
J16512	1	5/8	170

**Twin Eyenuts**

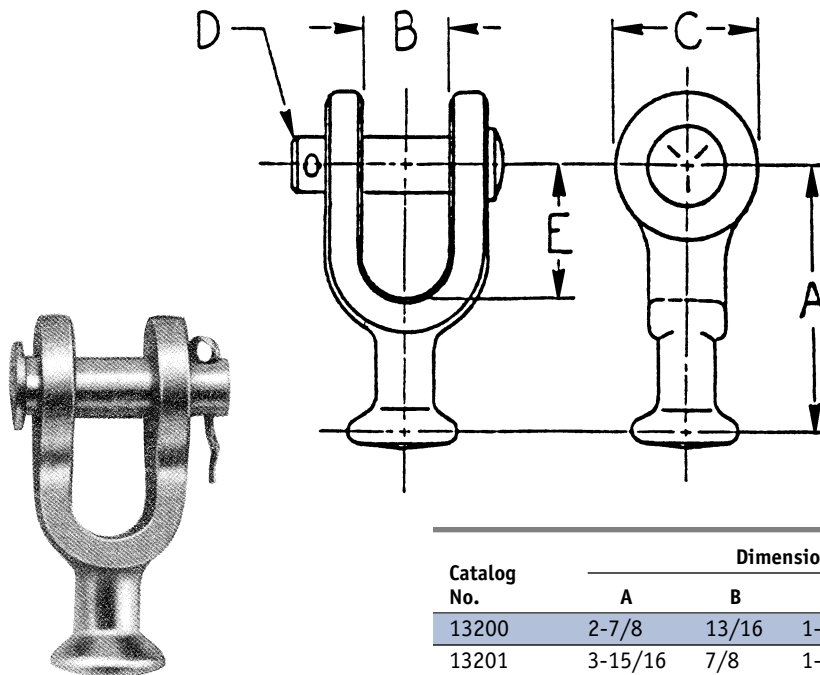
Catalog No.	For Bolt Diameter (Inches)	Maximum Strand Size (Inches)	Approximate Shipping Weight (Lbs. Per 100 Pcs.)
J6515	5/8	5/8	177
J6516	3/4	5/8	176

**Oval Eyenuts**

Catalog No.	For Bolt Diameter (Inches)	Maximum Strand Size (Inches)	Approximate Shipping Weight (Lbs. Per 100 Pcs.)
J1092	5/8	—	54
J1093	3/4	—	53

**Fittings, Cast, Insulator Ball Clevis**

**Hot Dip Galvanized**



Catalog No.	Dimensions (Inches)					Ultimate Strength (Lbs.)	Packed Wt./100 (Lbs.)	ANSI Class
	A	B	C	D	E			
13200	2-7/8	13/16	1-1/2	5/8	1-9/16	30,000	89	52.3/5
13201	3-15/16	7/8	1-1/2	5/8	2-1/2	30,000	120	52.3/5