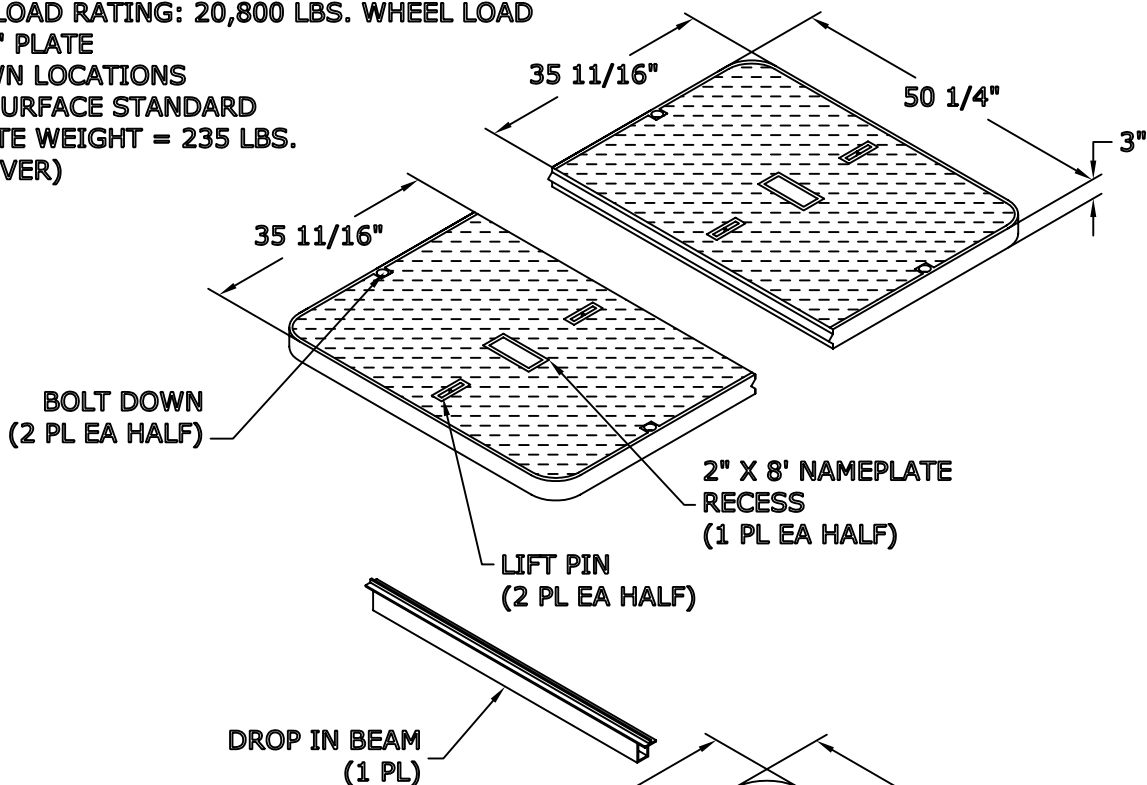


Date: 08/07/06
Model #: FCA487248T

4882/48 FRP/PC
ASSEMBLY

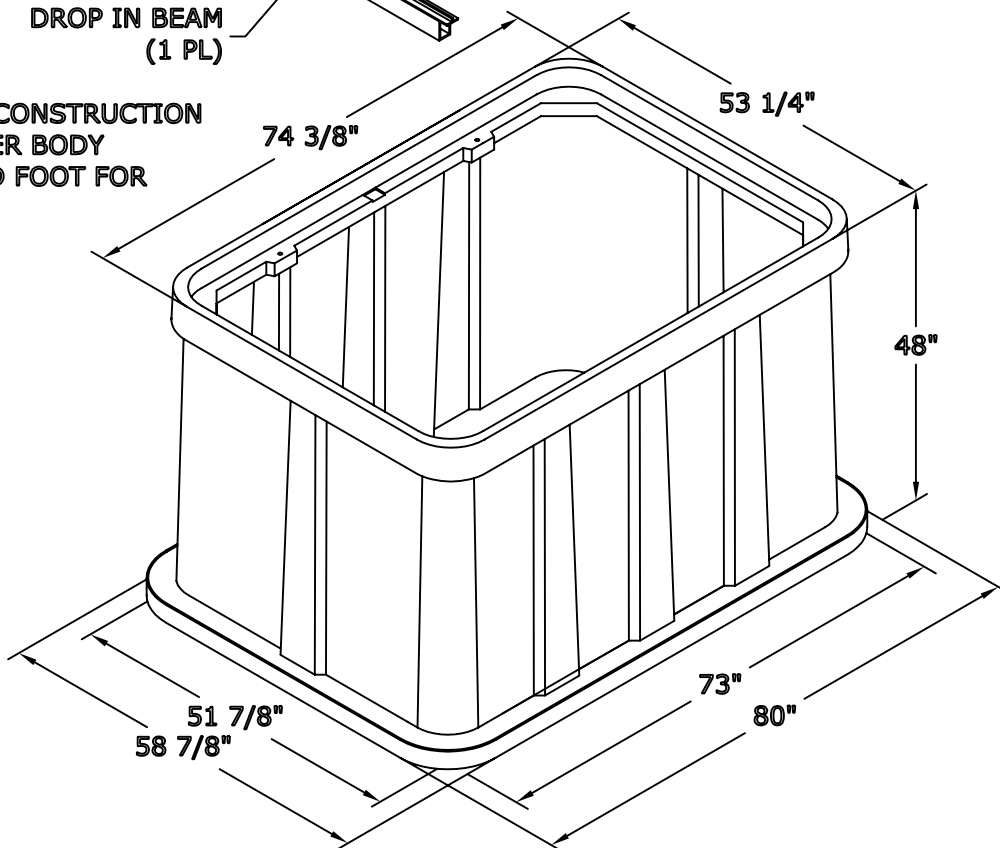
COVER FEATURES:

- * STANDARD LOAD RATING: 20,800 LBS. WHEEL LOAD ON 10" X 20" PLATE
- * 4 BOLT DOWN LOCATIONS
- * NON-SKID SURFACE STANDARD
- * APPROXIMATE WEIGHT = 235 LBS. (EA HALF COVER)



BOX FEATURES:

- * POLYMER CONCRETE RING CONSTRUCTION
- * FIBER REINFORCED POLYMER BODY
- * POLYMER CONCRETE FILLED FOOT FOR ADDITIONAL STRENGTH
- * APPROX. WEIGHT 550 LBS.



NewBasis
2626 Kansas Ave.
Riverside, CA 92507

Phone (951)787-0600
Fax (951)787-0632
www.newbasis.com

newbasis