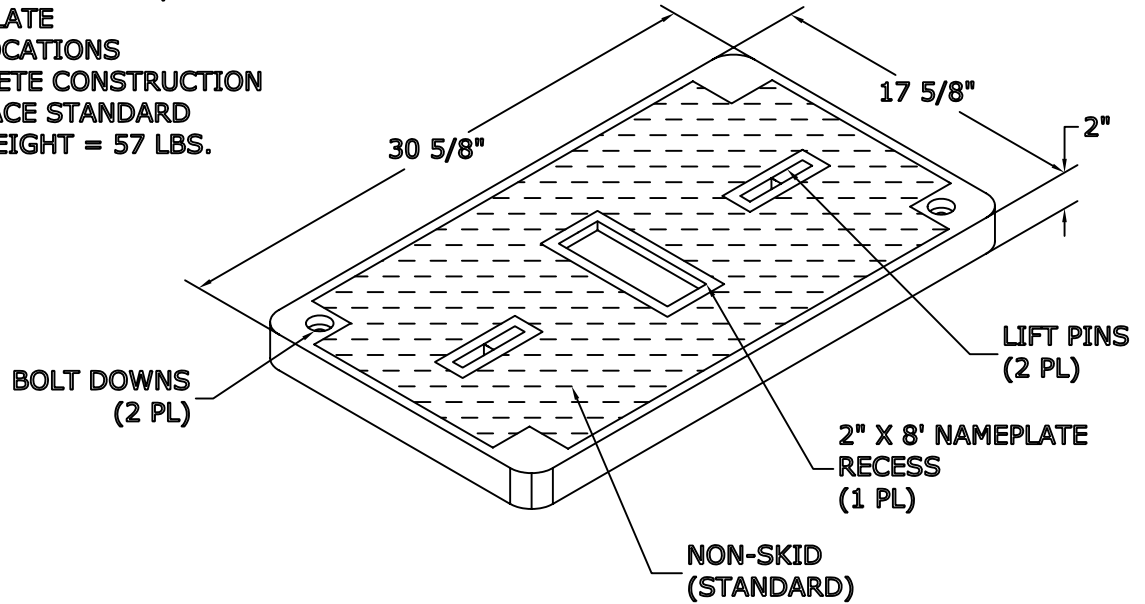


Date: 08/07/06  
Model #: PCA173024S

# 1730/24 POLYMER CONCRETE ASSEMBLY

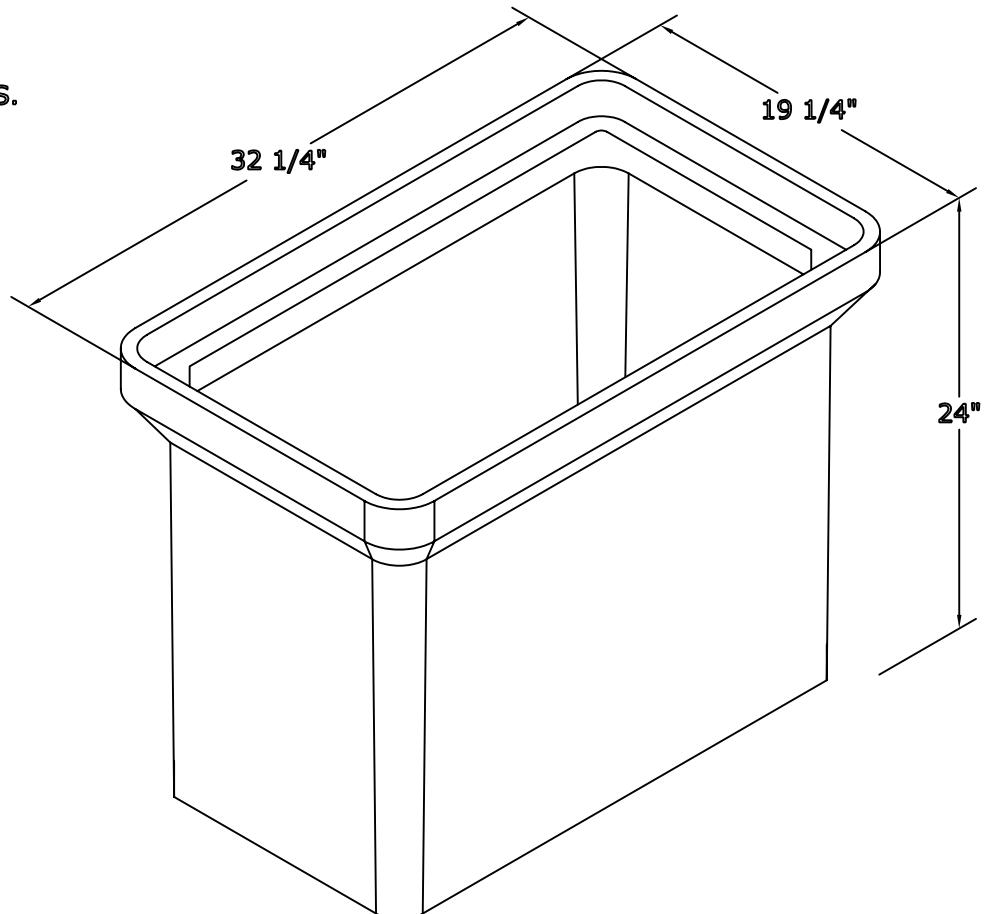
### COVER FEATURES:

- \* STANDARD LOAD RATING: 20,800 LBS. WHEEL LOAD ON A 10" X 20" PLATE
- \* 2 BOLT DOWN LOCATIONS
- \* POLYMER CONCRETE CONSTRUCTION
- \* NON-SKID SURFACE STANDARD
- \* APPROXIMATE WEIGHT = 57 LBS.



### BOX FEATURES:

- \* POLYMER CONCRETE CONSTRUCTION
- \* APPROX. WEIGHT 134 LBS.



NewBasis  
2626 Kansas Ave.  
Riverside, CA 92507

Phone (951)787-0600  
Fax (951)787-0632  
www.newbasis.com

**newbasis**