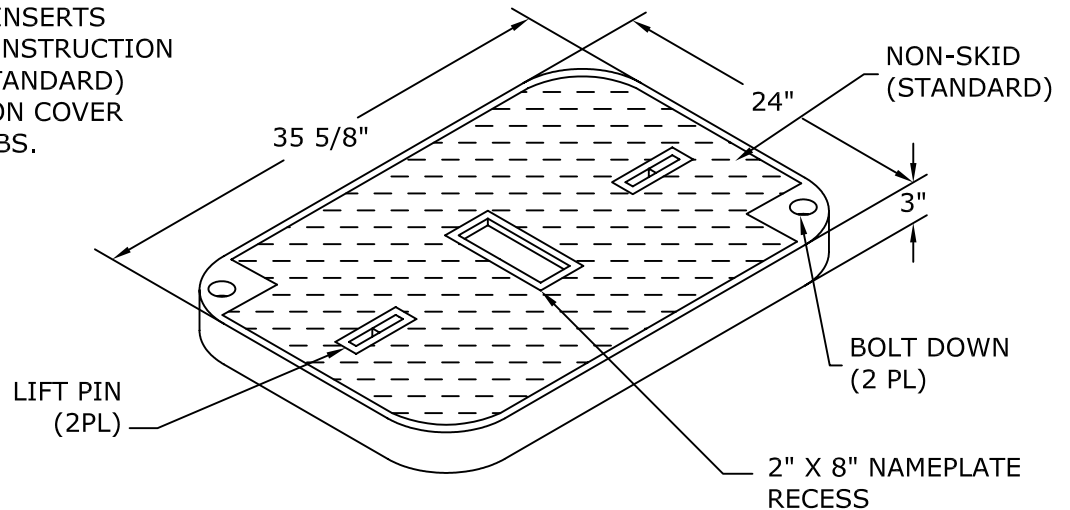


Date: 08/07/06  
Model #: PCA243624S  
DWG #: PCA243624S-1PC

2436/24 ASSEMBLY  
ALL POLYMER CONCRETE

**COVER FEATURES:**

- \* STANDARD LOAD RATING: 20,800 LBS. WHEEL LOAD ON 10" X 20" PLATE
- \* 2 BOLT DOWN LOCATIONS
- \* STAINLESS STEEL BOX INSERTS
- \* POLYMER CONCRETE CONSTRUCTION
- \* NON-SKID SURFACE (STANDARD)
- \* 20K TO BE EMBOSSED ON COVER
- \* APPROX. WEIGHT 120 LBS.



**BOX FEATURES:**

- \* POLYMER CONCRETE CONSTRUCTION
- \* LIGHTWEIGHT
- \* STACKABLE
- \* APPROX. WEIGHT 188 LBS.

