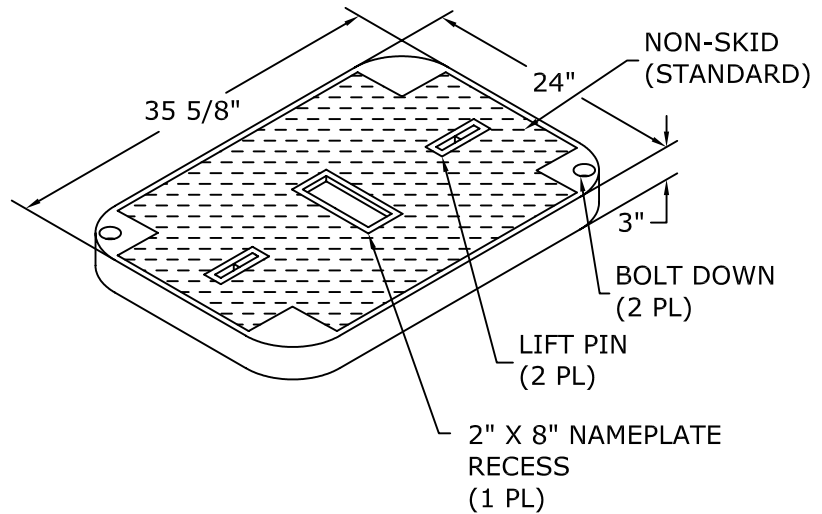


Date: 08/07/06
Part #: PCA243636S
DWG #: PCA243636S-1PC

2436/36 ASSEMBLY
ALL POLYMER CONCRETE

COVER FEATURES:

- * STANDARD LOAD RATING: 20,800 LBS. WHEEL LOAD ON 10" X 20" PLATE
- * 2 BOLT DOWN LOCATIONS
- * STAINLESS STEEL BOX INSERTS
- * POLYMER CONCRETE CONSTRUCTION
- * NON-SKID SURFACE (STANDARD)
- * 20K TO BE EMBOSSED ON TOP
- * APPROX. WEIGHT 120 LBS.



BOX FEATURES:

- * POLYMER CONCRETE CONSTRUCTION
- * LIGHTWEIGHT
- * STACKABLE
- * APPROX. WEIGHT 300 LBS.

