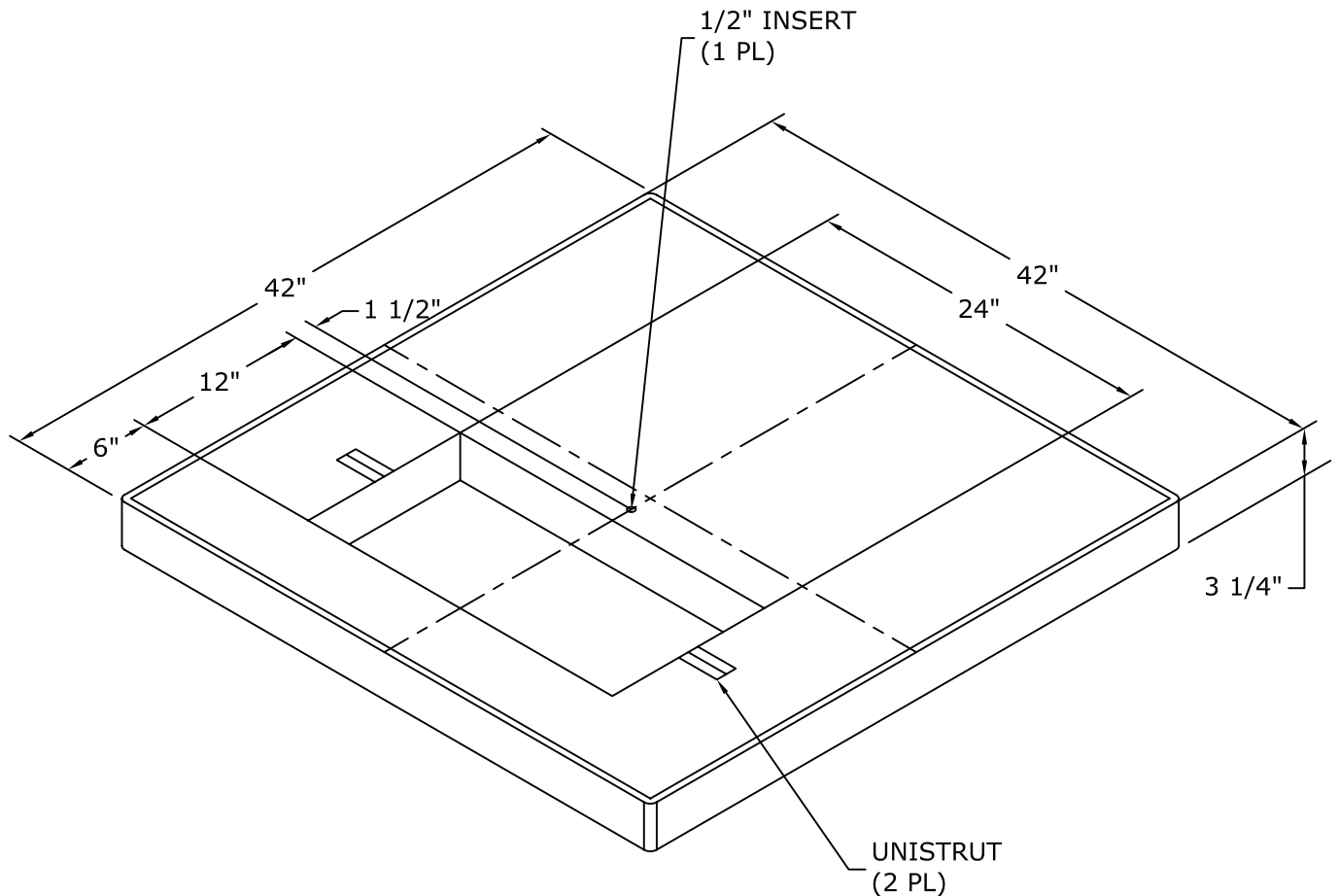


Date: 05/01/03
Part #: PP4242
Drawing #: PP4242

4242 PC PAD
FOUNDATION SUPPORT SYSTEM FOR
SINGLE PHASE TRANSFORMERS
WITH 12" X 24" OPENING

PAD FEATURES:

- * POLYMER CONCRETE CONSTRUCTION
- * LIGHTWEIGHT
- * REDUCES INSTALLING COSTS
- * ONE DAY INSTALLATION
- * NON-SKID SURFACE
- * EASILY RELOCATED
- * APPROX. WEIGHT 130 LBS.



NewBasis
2626 Kansas Ave.
Riverside, CA 92507

Phone (951)787-0600
Fax (951)787-0632
www.newbasis.com

newbasis