



CADWELD® MULTI



ERICO introduces the new CADWELD® MULTI – a revolution in exothermic welding. CADWELD MULTI replaces over 35 separate molds with a single, universal mold crucible capable of performing a wide range of mold types. **CADWELD MULTI now performs conductor to ground rod weld types.**

FEATURES

- Versatile mold offers variety of connections for grounding applications
- Patented self sealing system prevents weld metal leakage
- Compact compression structure enables easy alignment of conductors
- Easy to use system completes the weld in seconds
- Easy to follow instruction guide
- Lightweight kit for easy transportation
- Meets standards requirements
- Patented

APPLICATIONS

Multiple grounding connection capabilities, including:

- Copper cable/solid to copper cable/solid
- Copper cable/solid/tape to rebar
- Copper cable/solid to copper or steel tape/lug
- Copper tape to copper tape
- Galvanized steel tape to galvanized steel tape
- Conductor to ground rod

MORE INFORMATION

How It Works

CADWELD MULTI uses a combination of a generic mold block and a range of disposable gaskets (batting). The gaskets are compressed around the conductors to allow numerous different welded connections to be produced - without the need to change the mold block for each connection type.

CADWELD MULTI Connection Capabilities

Note: the tables below use the following symbols to denote the number of batting (gaskets) layers required for each connection.



Requires 2 batting layers for weld



Requires 3 batting layers for weld

NOTES:

- For connections using a 3/4" ground rod, it is necessary to use #115 / 115PLUSF20 weld material (sold separately).
- For all other connection types, use #90 or 90PLUSF20.
- For connections using galvanized material, remove galvanizing before welding, for a better connection.

Copper Cable/Solid to Copper Cable/Solid

Copper concentric conductor sizes up to 50 mm²(9.3 mm dia.) or 1/0 AWG (0.37" dia.)

--	--	--	--

DATASHEETS, BROCHURES AND CATALOG SECTIONS

CADWELD MULTI Une Nouvelle Evolution de la Soudure Exothermique

CADWELD MULTI, La nuova evoluzione della Saldatura Esotermica

CADWELD MULTI, Uma nova evolução na soldadura aluminotérmica

ERITECH, CADWELD MULTI - An Evolution in Exothermic Welding Brochure








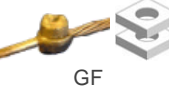


VIDEOS

ERITECH CADWELD MULTI Demo Video (MP4 format)

ERITECH CADWELD MULTI Demo Video (Windows Media format)

AVAILABILITY

- North America
- Latin America
- Asia/Australia
- Europe/Middle East/Africa

 SS	 SC	 PA	 TA	 XA
 GG	 GJ	 PP	 PK	 GE
 PG	 GF	 GW	 XB	
Copper concentric conductor sizes up to 25mm²(6.6 mm dia.) or #3 AWG (0.26" dia.)				
 TD	 TE	 TF		








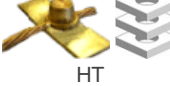
Copper Cable/Solid Strip to Rebar

Copper concentric conductor sizes up to 50mm²(9.3 mm dia.) or 1/0 AWG (0.37" dia.) Copper or steel strip sizes up to 30 x 3,5 mm (1.2" x 0.14") Rebar sizes up to 10 mm (#3)				
 RG	 RH	 RK	 NEW	 RD

Copper Strip to Copper Strip

BB and CG: Copper strip sizes up to 30 x 3,5 mm (1.2" x 0.14") BG and EB: Copper strip sizes up to 30 x 3,0 mm (1.2" x 0.12")			
 BB	 CG	 BG	 EB

Copper Cable/Solid to Copper or Steel Strip/Lug

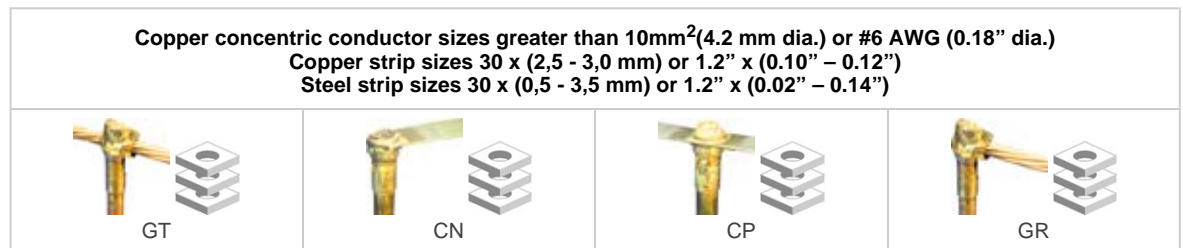
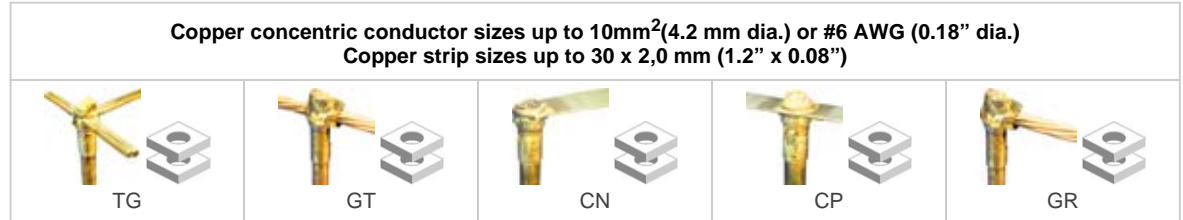
Copper concentric conductor sizes up to 50mm²(9.3 mm dia.) or 1/0 AWG (0.37" dia.) Copper or steel lug / strip sizes up to 30 x 3,5 mm (1.2" x 0.14")				
 HA	 HC	 GL	 LA	 LJ
 LE	 HS	 HT		

Galvanized Steel Strip to Galvanized Steel Strip

Galvanized steel strip sizes up to 30 x 3,5 mm (1.2" x 0.14")				
--	--	--	--	--



Ground Rod Connections



Ordering Information

Part No.	Article No.	Description	Pack Size	Weight (kg)
KITCDMV01	167782	CADWELD MULTI Kit	1	25.000
<i>The CADWELD MULTI kit (KITCDMV01) contains the following list of items:</i>				
FMCDMV01	120883	Handle Clamp	1	1.800
CDMV01H	240399	Mold for H welds	1	1.200
CDMV0112	240398	Mold for welds on 1/2 rods	1	1.200
CDMV0158	240397	Mold for welds on 5/8 rods	1	1.200
CDMV0134	240396	Mold for welds on 3/4 rods*	1	1.200
SCDM01	120886	Set of 33 batting/gaskets	2	0.200
B399P	162070	SKK1 clamp	1	0.500
TSCSTP	197295	Toolset	1	2.000
B136B	182030	Slag Removal Spade	1	0.144
		Language free instruction sheet	1	

The following items can be used with the CADWELD MULTI Kit (KITCDMV01). They are sold separately.

Ordering Information

Part No.	Article No.	Description	Pack Size	Weight (kg)
T320	165000	Flint Ignitor T320	1	0.090
90	163040	CADWELD Traditional welding material	10	0.090
115	163050	CADWELD Traditional welding material	10	0.115
PLUSCU	165738	Control Unit	1	1.088

PLUS#90F20	165705	CADWELD PLUS welding material	10	0.158
PLUS#115F20	165706	CADWELD PLUS welding material	10	0.185

Due to ERICO's continuous product improvement policy, products shown in this catalog are subject to change without notice.

For further information, contact ERICO.

Due to a policy of continued product development, specifications are subject to change without notice.

CADDY, CADWELD, CRITEC, ERICO, ERIFLEX, ERITECH, and LENTON are registered trademarks of ERICO International Corporation.

[Warning, Warranty and Limitation of Liability](#)

Copyright © 2009 ERICO International Corporation. [About Us](#) [Privacy and Legal Statements](#)