


[HOME](#)
[PRODUCTS](#)
[PRICE LISTS](#)
[LIBRARY](#)
[SOFTWARE](#)
[PARTNERS](#)



[Home](#) » [Products](#) » ... » ... » [Ground Rods & Accessories](#) » ERITECH® Copperbonded Ground Rods

[ALL COUNTRIES](#) [Change](#)


ERITECH® COPPERBONDED GROUND RODS


[Print this page](#)

In a grounding system, the ground electrode provides the physical connection to the earth and is the instrument used to dissipate current into it. There are two main types of electrodes.

“**Natural**” electrodes are intrinsic to the facility and include metal underground water pipe, the metal frame of the building (if effectively grounded), and reinforcing bar in concrete foundations.

“**Made**” electrodes are installed specifically to improve the performance of the grounding system and include wire meshes, metallic plates, buried copper conductor and rods or pipe driven into the ground.

The ground rod is the most widely used grounding electrode. ERICO® is the world's largest manufacturer of ground rods and offers a complete line of rods and accessories to meet the needs of every user.

RELATED PRODUCTS

CADWELD® PLUS ONE SHOT

ERITECH® Ground Rod Accessories - North & Latin America

Ground Enhancing Material (GEM)

AVAILABILITY

North America
Latin America
Asia/Australia
Europe/Middle East/Africa

FEATURES

Copperbonded Ground Rods

- Resist corrosion better than galvanized rods allowing for a 30-year service life in most soils
- State of the art manufacturing process ensures uniform plating thickness
- Average tensile strength of 80,000 psi and straightness tolerance of .010" per linear foot
- Exceed the requirements of ANSI®/UL® 467-1984, CSA®, and ANSI/NEMA® GR-1

Pointed Copperbonded Ground Rods

- Manufactured of high strength 1035 cold drawn steel
- The ERICO preferred ground rod

Compression Couplers for Pointed Rods

- For use when coupling pointed rods

Sectional Copperbonded Ground Rods

- For use when it is necessary to deep-drive rods
- Cold-rolled threads - stronger than cut threads

Threaded Couplers for Sectional Rods

- For use when coupling sectional rods

Drive Studs for Sectional Rods

- Screws into threaded coupler while rod is being driven

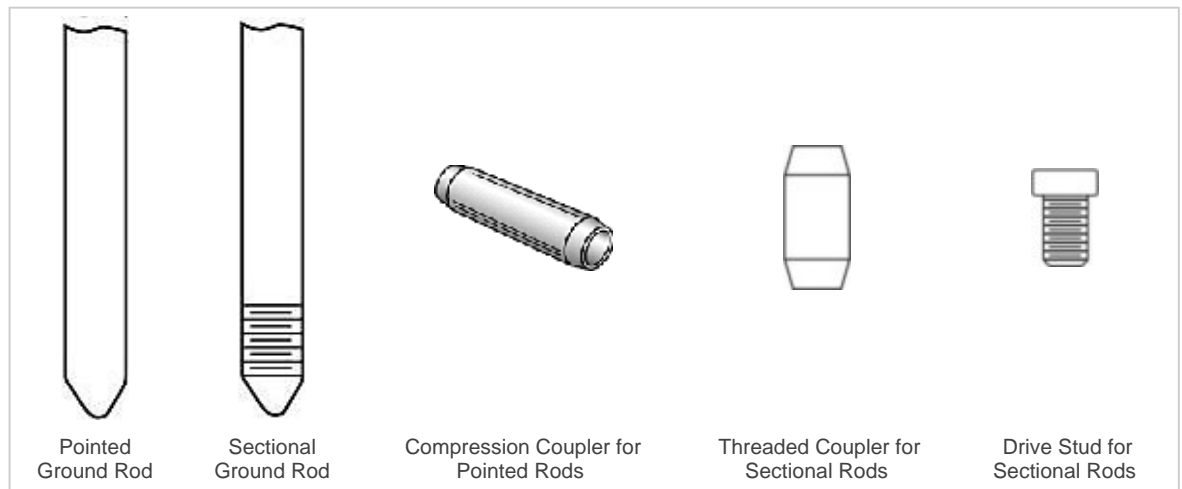
APPLICATIONS

ERICO has a complete line of ground rods and accessories to meet the needs of every user.

MORE INFORMATION

View product information by region: [North & Latin America](#) · [Europe](#) · [Asia & Australia](#)

Product Information - North & Latin America [Return to Top](#)



Pointed Copperbonded Ground Rods

Part No.	Plating Thickness (mil)	Diameter (in)	Length (ft)	Standard Package	Weight per 100
613852	5	3/8	5	5	160
613862	5	3/8	6	5	198
613880	10	3/8	8	5	270
611255	5	1/2	5	5	296
611265	5	1/2	6	5	310
611285	5	1/2	8	5	482
611380*	10	1/2	8	5	553
611205	5	1/2	10	5	557
611300*	10	1/2	10	5	738
615850	10	5/8	5	5	420
615860	10	5/8	6	5	509
615880*	10	5/8	8	5	680
615883*	13-REA	5/8	8	5	680
615800*	10	5/8	10	5	844
615803*	13-REA	5/8	10	5	844
615812*	10	5/8	12	5	1000
615815*	10	5/8	15	5	1275
613460	10	3/4	6	5	750
613480*	10	3/4	8	5	1000
613483*	13	3/4	8	5	1000
613400*	10	3/4	10	5	1240
613412*	10	3/4	12	5	1480
613415*	10	3/4	15	5	1850
614400*	10	1	10	5	2204

* UL Listed

Sectional Copperbonded Ground Rods

	Plating Thickness	Diameter	Length	Standard	Weight
--	-------------------	----------	--------	----------	--------

Part No.	(mil)	(in)	(ft)	Package	per 100
631380*	10	FS 1/2	8	5	540
631300*	10	FS 1/2	10	5	688
635830	10	5/8	3	5	262
635840	10	5/8	4	5	344
635850	10	5/8	5	5	420
635860	10	5/8	6	5	504
635880*	10	5/8	8	5	680
635883*	13- REA	5/8	8	5	680
635800*	10	5/8	10	5	844
633480*	10	3/4	8	5	1000
633400*	10	3/4	10	5	1240
634400*	10	1	10	5	2204

* UL Listed

Product Information - Europe [Return to Top](#)

Part Number	Description	Nominal Diameter		Length		Pack	Unit Weight (kg)
		mm	inches	m	feet		
155000	1.2M38*	9	3/8"	1.2	4	5	0.650
155010	1.5M38*	9	3/8"	1.5	5	5	0.800
155030	2.1M38*	9	3/8"	2.1	7	5	1.100
155050	3.0M38*	9	3/8"	3.0	10	5	1.600
155060	1.2M12	12.5	1/2"	1.2	4	5	0.800
155070	1.5M12	12.5	1/2"	1.5	5	5	1.150
155090	2.1M12	12.5	1/2"	2.1	7	5	1.600
155110	3.0M12	12.5	1/2"	3.0	10	5	2.300
155240	1.2M58	14.2	5/8"	1.2	4	5	1.500
155250	1.5M58	14.2	5/8"	1.5	5	5	1.900
155270	2.1M58	14.2	5/8"	2.1	7	5	2.450
155290	3.0M58	14.2	5/8"	3.0	10	5	3.750
155420	1.2M34	17.2	3/4"	1.2	4	5	2.150
155430	1.5M34	17.2	3/4"	1.5	5	5	2.750
155450	2.1M34	17.2	3/4"	2.1	7	5	3.800
155470	3.0M34	17.2	3/4"	3	10	5	5.450

* Non-Extending

Product Information - Asia & Australia [Return to Top](#)

Part No.	Nominal Diameter		Actual Diameter		Length		Pack	Master Bundle	Unit Weight (kg)
	in	mm	in	mm	feet	m			
611350	1/2"	13	0.500"	12.70	5	1.52	5	100	1.56
611360	1/2"	13	0.500"	12.70	6	1.83	5	100	2.01

611380*	1/2"	13	0.500"	12.70	8	2.44	5	100	2.50
611300*	1/2"	13	0.500"	12.70	10	3.05	5	100	3.13
615840	5/8"	15	0.561"	14.25	4	1.22	5	100	1.53
615850	5/8"	15	0.561"	14.25	5	1.52	5	100	1.91
615860	5/8"	15	0.561"	14.25	6	1.83	5	100	2.31
615880*	5/8"	15	0.561"	14.25	8	2.44	5	100	3.08
615800*	5/8"	15	0.561"	14.25	10	3.05	5	100	3.83
613460	3/4"	17	0.677"	17.20	6	1.83	5	50	3.37
613480*	3/4"	17	0.677"	17.20	8	2.44	5	50	4.55
613400*	3/4"	17	0.677"	17.20	10	3.05	5	50	5.62
614400*	1.0"	23	0.910"	23.11	10	3.05	3	25	5.74

*UL listing requires a minimum of 10 mil thickness of copper with minimum rod diameter 0.500" and a minimum of 8 feet length

ANSI is a registered trademark of the American National Standards Institute. UL is a registered trademark of Underwriters Laboratories. CSA is a registered trademark of the Canadian Standards Association Int'l. NEMA is a registered trademark of the National Electrical Manufacturers Association.

Due to a policy of continued product development, specifications are subject to change without notice.

CADDY, CADWELD, CRITEC, ERICO, ERIFLEX, ERITECH, and LENTON are registered trademarks of ERICO International Corporation.

[⊕ Warning, Warranty and Limitation of Liability](#)