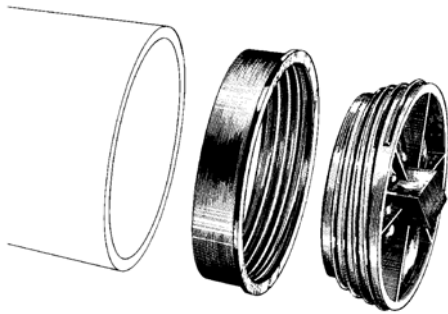


ETCO

Specialty Products, Inc.

Solid Round "T" Cone Duct Plugs for Telephone Conduit Applications

U.S. Patent #4506705



- Positive Sealing
- Eliminates Infiltration
- Positive Sealing
- No Metal Parts to Rust
- Permanent Seal Against Water and Gases
- Easy to Install and Remove
- Reuseable

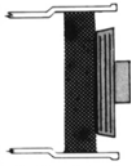
Available in Sizes 1" through 8"

Conduit Barrel



Part No. W/O Rope Tie	Part No. W/Rope Tie	Size and Type Conduit	Conduit or Socket I.D.
ST-102	ST-102T	1" SCH 40 DUCT	1.050"
ST-103	ST-103T	DB-120	1.195"
ST-104	ST-104T	1-1/8" I.D. DUCT	1.125"
ST-105	ST-105T	1-1/4" I.D. DUCT	1.250"
ST-125	ST-125T	1-1/4" SCH 40 DUCT	1.380"
ST-152	ST-152T	1-1/2" SCH 40 DUCT	1.610"
ST-202	ST-202T	2" SCH 40 DUCT	2.067"
ST-203	ST-203T	2" GT DUCT	2.195"
ST-302	ST-302T	3" SCH 40 DUCT	3.068"
ST-352	ST-352T	3.500" I.D. DUCT	3.437"
ST-402	ST-402T	4" I.D. DUCT	4.026"
ST-425	ST-425T	4.25" I.D. DUCT	4.250"

Plastic Conduit Socket

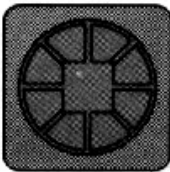


Part No. W/O Rope Tie	Part No. W/Rope Tie	Size and Type Conduit	Conduit or Socket I.D.
ST-300	ST-300T	3" SCH 40 SOCKET	3.500"
ST-350	ST-350T	3-1/2" SCH 40 SOCKET	4.000"
ST-435	ST-435T	4.350" PLASTIC SOCKET	4.350"
ST-450	ST-450T	4" SCH 40 SOCKET	4.500"

Solid Square "T" Cone Duct Plugs

for Telephone Conduit Applications

U.S. Patent #4506705



Part No. W/O Rope Tie	Part No. W/Rope Tie	Size and Type Conduit	Conduit or Socket I.D.
SQ-250	N/A	2-1/2" SQUARE DUCT	2-1/2"
SQ-325	SQ-325T	3-1/4" SQUARE DUCT	3-1/4"
SQ-350	SQ-350T	3-1/2" SQUARE DUCT	3-1/2"
SQ-400	SQ-400T	4" SQUARE DUCT	3-11/16"
SQ-425	SQ-425T	4-1/4" SQUARE DUCT	4-1/4"

